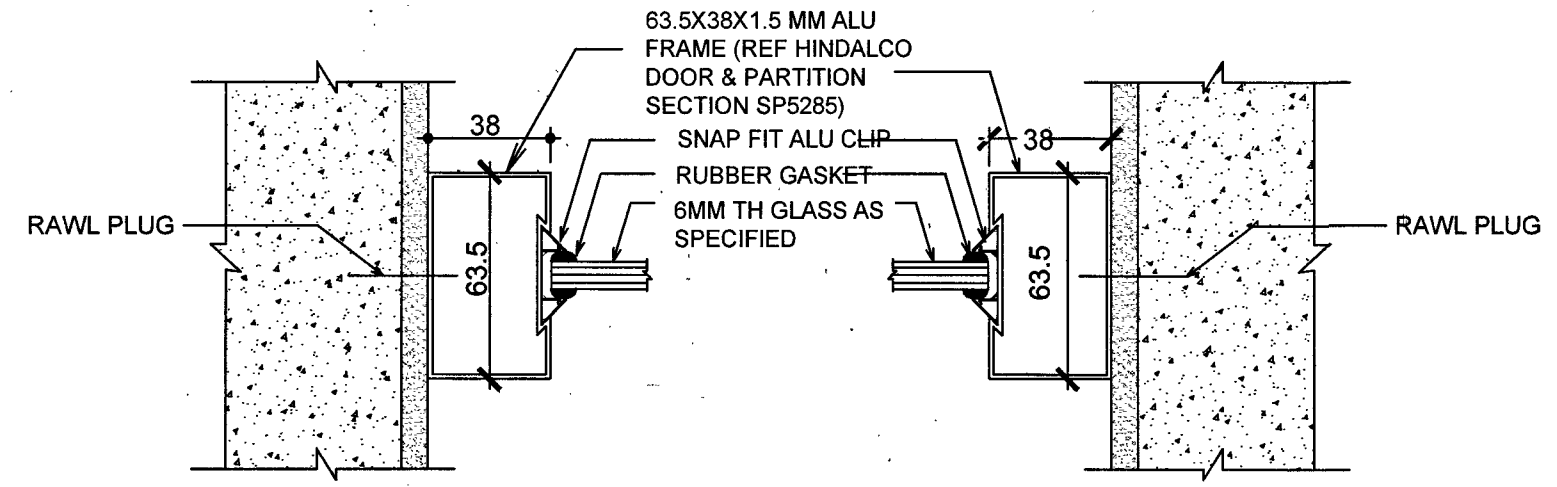


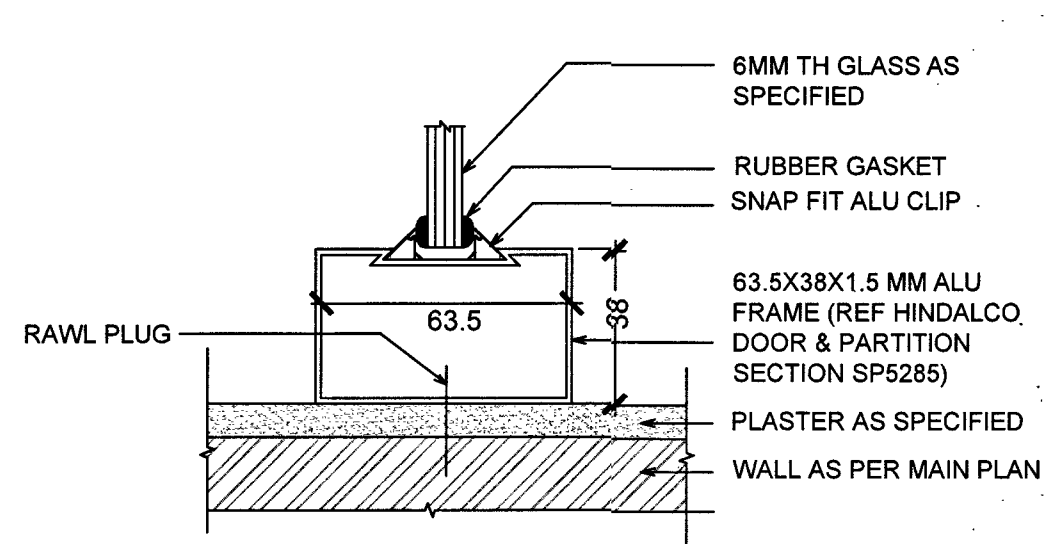
ELEVATION ALW - 6

ALW
6

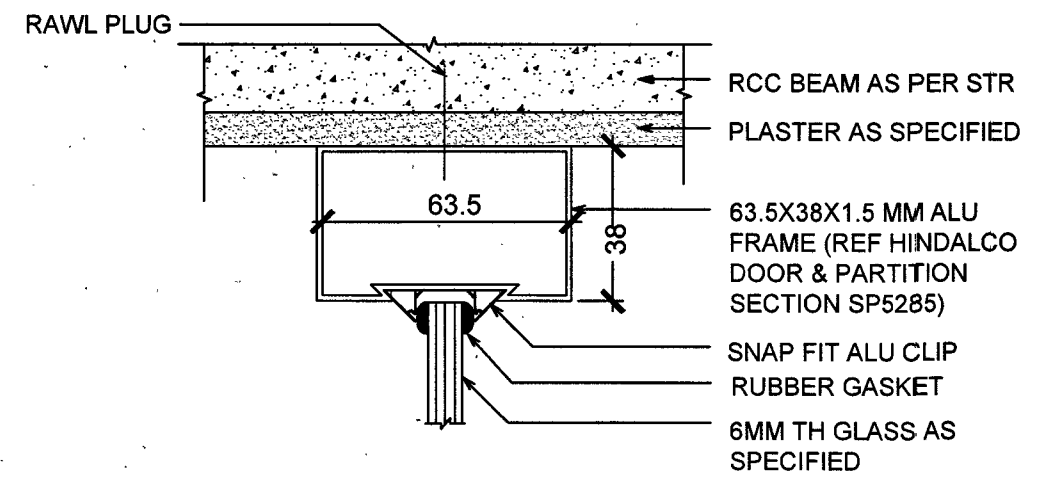


DETAIL AT 'H'

DETAIL AT 'I'



SECTIONAL DETAIL AT 'G'



SECTIONAL DETAIL AT 'K'

- NOTES:**
- CONTRACTOR TO CHECK & VERIFY ALL DIMENSIONS BEFORE TAKING EXECUTION OF THE WORK.
 - FIGURED DIMENSIONS SHALL BE FOLLOWED.
 - ALL DIMENSION ARE GIVEN IN MILLIMETERS UNLESS OTHERWISE STATED.
 - THE ALUMINIUM SECTIONS SHALL BE ANODISED IN NATURAL MATT FINISH, THE THICKNESS OF ANODIC FILM SHALL BE MINIMUM 15 MICRONS.
 - ALL EXTERNAL WINDOWS SHALL BE PROVIDED WITH ALUMINIUM GRILL.
 - THE ALUMINIUM GRILL PATTERN ARE TAKEN FROM DECOGRILLE MAKE.
 - ALL FITTINGS AND FIXTURES (HINGES, STAY & HANDLES EXC.) SHALL BE PROVIDED AS PER MANUFACTURING INSTRUCTIONS.
 - RUBBER GASKET SHALL BE PROVIDED TO WINDOWS IN ALL A/C ROOMS.
 - SH. DENOTES SIDE HUNG.
 - 'M' INDICATES MOSQUITO PROOFING SHUTTER.
 - FIXING DETAILS OF LOUVERS SHALL BE AS PER MANUFACTURES INSTRUCTIONS.
 - FIXING DETAILS OF LOUVERS SHOWN IN THIS DRG. ARE TAKEN FROM CATALOGUE AJIT INDIA PVT LTD.

ARCH DRAWINGS PREPARED UNDER CONSULTANCY BY M/S THE DESIGN FACTORY, 293, CHHOTI BARANDARI PART-1 JALANDHAR, PUNJAB THE SAME ARE SIGNED BY US AS PER E-IN -C'S BRANCH POLICY LETTER NO.08/2017 ISSUED UNDER E2 WORKS (PPC) SUB DTE, DTE OF WORKS, LETTER NO. A/00157/23-1/POL/E2W(PPC) DATED 02 JULY 2017

SL NO	DATE	DESCRIPTION	INITIAL
REVISION			

DETAILS OF ALUMINIUM WINDOW & VENTILATOR

DATE	13/03/2025	CHIEF ENGINEER JALANDHAR ZONE	SHEET NO
DRAWN			01
CHKD			03

SCALE AS SHOWN DRG NO : CEJZ / TD-96 / 2025
CONSULTANTS:
THE DESIGNFACTORY
293-CHHOTI BARANDARI
PART-1 - JALANDHAR
+91 9879802949
thedesignfactory7@gmail.com

[Signature]
DIRECTOR (ARCH)
for CHIEF ENGINEER